



**DUGARD**

**EAGLE 400**

**CNC Lathe**

*Superb Performance*

*Maximum Stability*

*Maximum Reliability*



*Slant Bed High Precision  
High Power Digital Drives*

# EAGLE 400

*Superb Performance Maximum Stability*

*Precision, Power and Capacity Make the EAGLE 400 a super performer.*

A heavy duty CNC lathe with hardened slideways ideal for extra heavy duty cutting on large diameter workpieces at low speed.

Equipped with the latest Fanuc Oi control with high resolution, colour LCD screen.

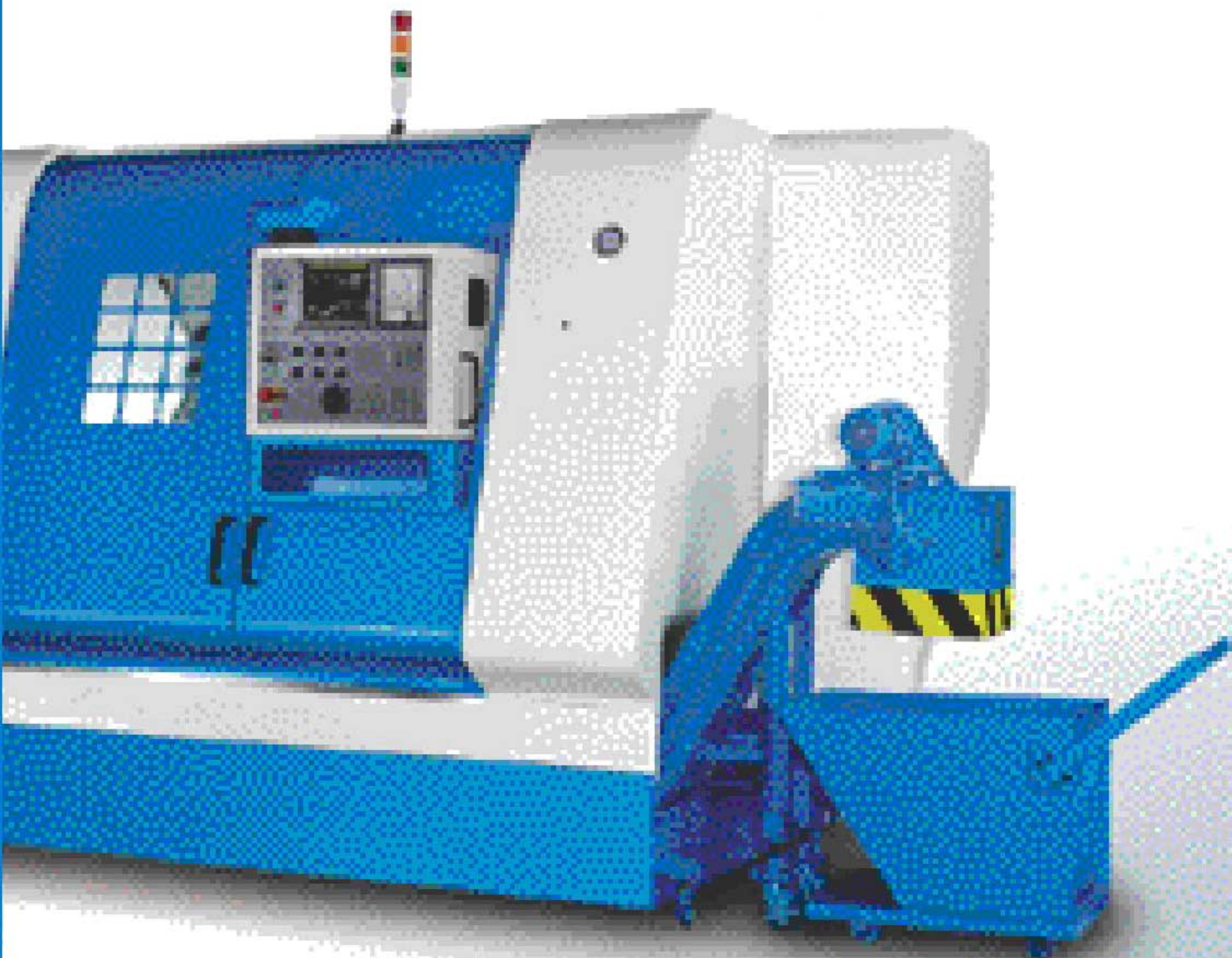
The superior operational features of this control assure top machining performance.

## *Designed with Big Capacity in Mind*

- Swing over bed  $\varnothing 770$  mm.
- Swing over carriage  $\varnothing 550$  mm.
- Maximum cutting diameter  $\varnothing 486$  mm.
- 45° slant bed.
- High rigidity box ways.
- 10-position hydraulic turret.
- Spindle is driven through a ZF two-speed maintenance free gearbox.
- Fanuc Oi control with LCD screen.



# *Maximum Reliability*

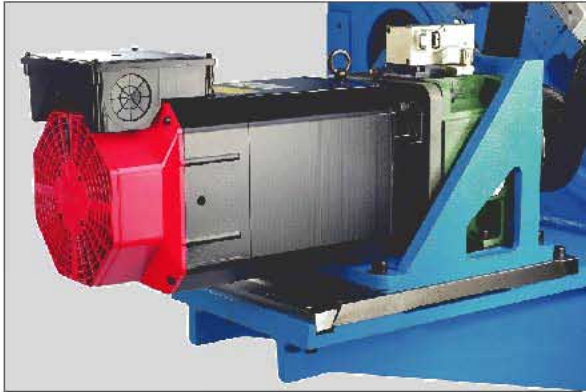


5431-400



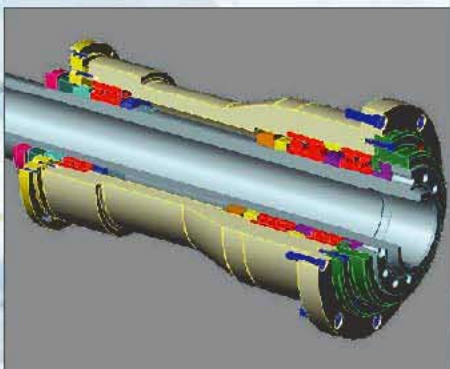
# EAGLE 400

Quality  
Added Value



## High Torque Spindle Drive System

- The spindle is driven through a two-speed ZF gearbox providing high torque output at low speed 250 rpm. This ensures that the machine has superb high cutting capability.
- Top quality durable timing belt assures full power transmission without slippage. Externally mounted transmission mechanism features low noise, reduced heat transfer, excellent heat dissipation, easy adjustment and maintenance free operation.



## Rigid Spindle

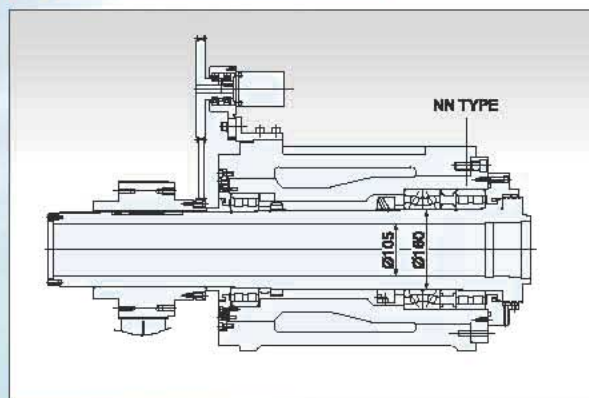
- Modular spindle structure. The bearing is supported by a sleeve, which provides superior accuracy and service life compared to conventional housing type.



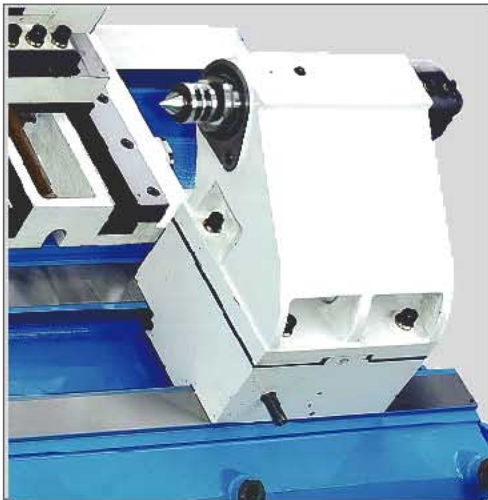
## Powerful Turret

- The powerful hydraulic turret enhances cutting capacity. The rigid construction allows for the most rigorous cutting demands.
- 12-position turret is optional.

## Spindle Structure



# Features Provide Value



## **Programmable Tailstock**

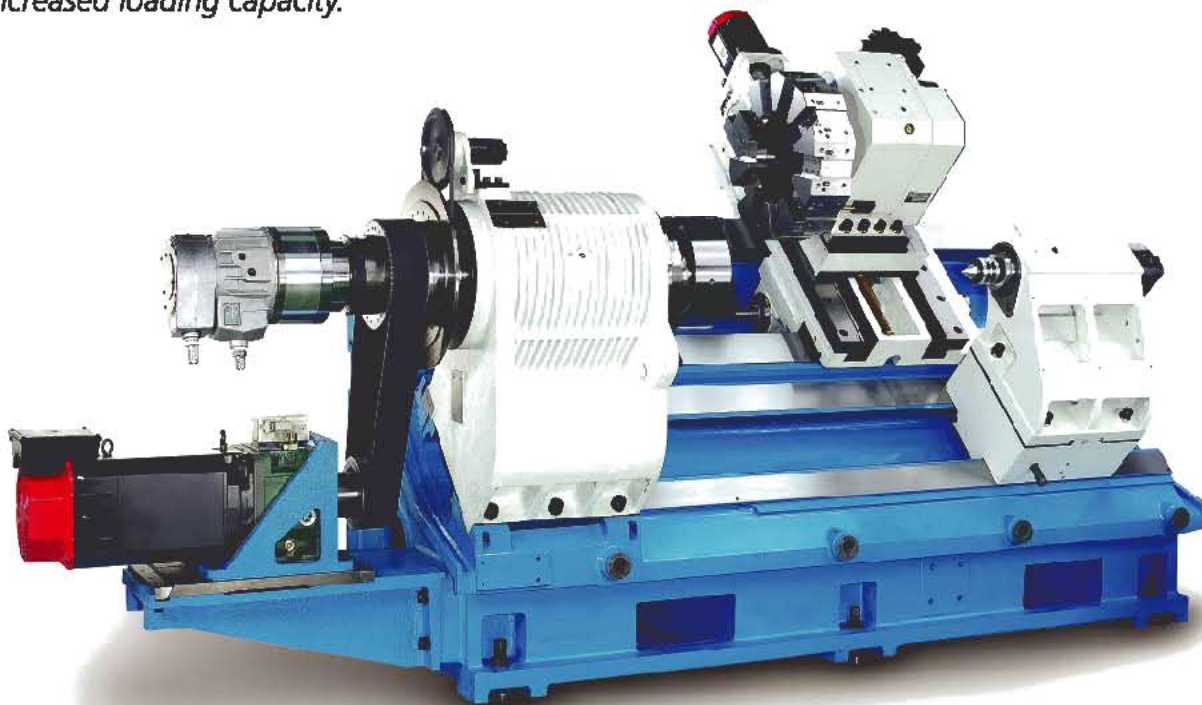
- *Rigid construction of the tailstock body assures excellent damping capability.*
- *Tailstock movement is controlled through Z-axis saddle programs.*
- *Available with a rotating quill for increased loading capacity.*

## **Optimum Rigidity and Stability Through Quality Construction.**

Rigid box ways. Way surfaces are precision scraped with carefully designed oil grooves for outstanding slideway lubrication characteristics.

45° slant bed is a box type one piece construction with Low vibration properties for lifetime accuracy.

Structural parts are manufactured from high grade SG cast iron. Finite element analysis has been used to provide rib reinforcement which equips the machine with the best possible stability during heavy duty machining.



## Specification

	Model	EAGLE-400
<b>Capacity</b>	Swing over bed	ø770mm
	Swing over carriage	ø550mm
	Max. cutting diameter	ø570mm
	Standard cutting diameter	ø486mm
	Distance between centers	1020mm
<b>Headstock</b>	Spindle nose	ASA A2-8
	Spindle bearings diameter	ø160mm
	Spindle bore diameter	ø105mm
	Spindle speed	2500rpm(2 steps)
	Spindle motor(30 min/cont.)	26/22kW
	Spindle max. torque(30 min)	101kgf-m
	Bar capacity	ø91mm
<b>Travels</b>	X axis	320mm
	Z axis	820mm
	Rapid traverse-X axis	18m/min
	Rapid traverse-Z axis	18m/min
<b>Turret</b>	Type	hydraulic
	Number of tools	10/12(opt.)
	Tool shank	□ 32 x 32mm
	Boring bar size	ø50mm
	Index time(next tool)	0.45sec
	Index time(180°)	1.9sec
<b>Tailstock</b>	Tailstock body travel	820mm
	Quill travel	120mm
	Quill diameter	ø110mm
	Quill taper	MT-5
	Quill activation	hydraulic
	Tailstock body positioning	auto
<b>General Specifications</b>	Floor space	4575 x 2212mm
	Net weight(approx.)	9500kgs

### Standard Accessories

1. Boring bar bushes (7 pcs)  
(ø10, ø12, ø16, ø20, ø25, ø32, ø40)X O.D.50
2. Hydraulic 10-tool turret
3. Through bore 12" hydraulic chuck
4. Programmable tailstock with MT No. 5 quill
5. A set of leveling bolts and pads
6. End of program light
7. Grease lubrication
8. Soft jaws 1 set
9. Coolant system
10. Work light
11. Tool kit

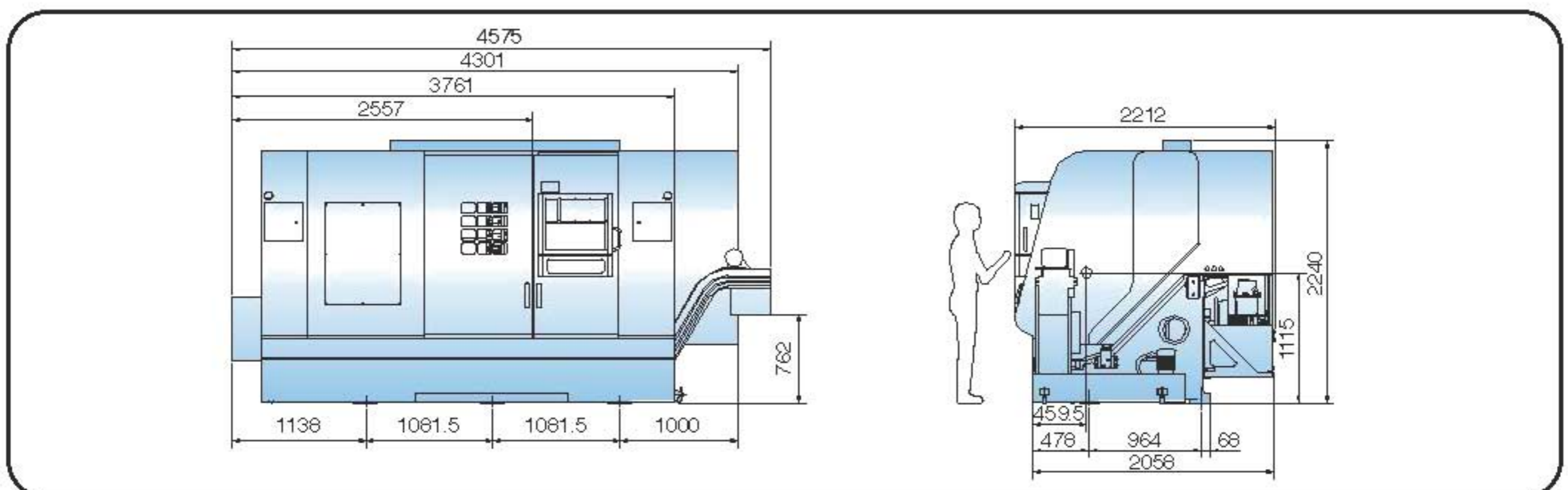
### Optional Accessories

1. Through bore 450mm hydraulic power chuck
2. Extra hard/soft jaws
3. Bar feed
4. Bar feed interface
5. High pressure coolant pump
6. Foot pedal for tailstock
7. Manual tool setting probe
8. Auto tool setting probe
9. Chip conveyor/chip bucket
10. Hydraulic steady rest
11. VDI turret and VDI tool holders
12. Auto door

•The above specifications are subject to change without prior notice.

## Machine Dimensions

unit : mm





# *Other Eagle Products*



EAGLE - 100



EAGLE - 300



EAGLE - 1000



EAGLE - 25

**European Headquarters for Eagle CNC Machine Tools**

**Tele: +44 (0)1273 732286 - Fax: +44 (0)1273 203835**

**75 Old Shoreham Road, Hove, Sussex, BN3 7BX UK**

**[www.dugard.com](http://www.dugard.com)**

**email: [info@dugard.co.uk](mailto:info@dugard.co.uk)**

